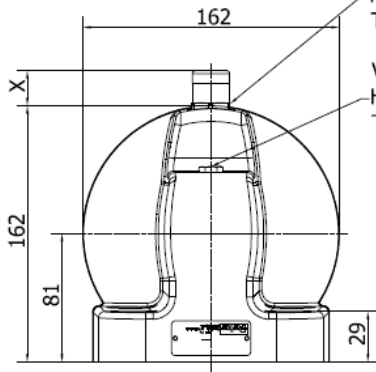
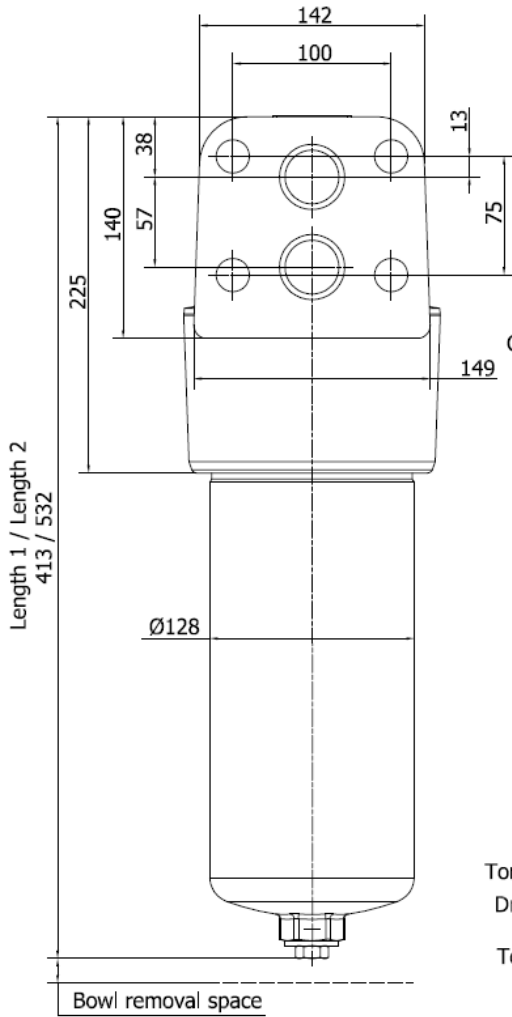
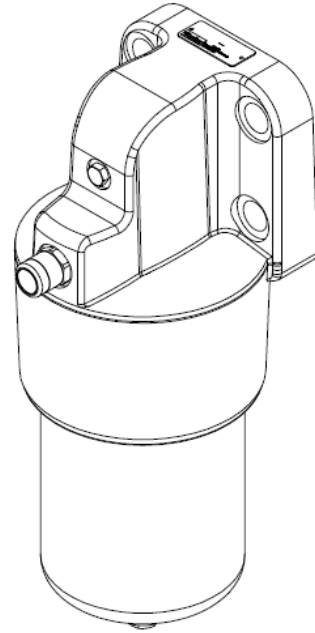


Indicator	x
Plugged	5
Visual M3	22
Electrical T1	68



Indicator (shown is visual M3)  
Hex: 24 mm.  
Torque: 45 Nm.

Vent plug (SAE-4)  
Hex: 15 mm.  
Torque: 35-40 Nm.



Outlet hole: Ø34  
O-ring: Ø36,17x2,6

Inlet hole: Ø34  
O-ring: Ø36,17x2,6

Ø21

Bowl  
Hex: 36 mm.  
Torque: 80-95 mm.  
Drain plug (SAE-5)  
Hex: 16 mm  
Torque: 35-40 Nm

Bowl removal space	
Element	Value
Standard / High Strength	75
Reverse Flow	100

Recommended mounting bolt size:  
- 4x M20 Hex socket-head bolt, acc. ISO 4762  
- Tightening torque: 200 Nm.

Mounting surface:

- Surface finish 1,6 ✓

Dimensions in mm

**EPF4 Manifold**  
Dimensional drawing

